

Turbo-V 300
75 Vdc
Box Controller

Model SQ 189

INSTRUCTION MANUAL

Turbo-V 300 75 Vdc Box Controller



VARIAN



vacuum technologies

Dear Customer,

Thank you for purchasing a VARIAN vacuum product. At VARIAN Vacuum Technologies we make every effort to ensure that you will be satisfied with the product and/or service you have purchased.

As part of our Continuous Improvement effort, we ask that you report to us any problem you may have had with the purchase or operation of our product. On the back side you find a Corrective Action Request form that you may fill out in the first part and return to us.

This form is intended to supplement normal lines of communications and to resolve problems that existing systems are not addressing in an adequate or timely manner.

Upon receipt of your Corrective Action Request we will determine the Root Cause of the problem and take the necessary actions to eliminate it. You will be contacted by one of our employees who will review the problem with you and update you, with the second part of the same form, on our actions.

Your business is very important to us. Please, take the time and let us know how we can improve.

Sincerely,

Sergio PIRAS

*Vice President and General Manager
VARIAN Vacuum Technologies*

Note: Fax or mail the Customer Request for Action (see backside page) to VARIAN Vacuum Technologies (Torino) - Quality Assurance or to your nearest VARIAN representative for onward transmission to the same address.

CUSTOMER REQUEST FOR CORRECTIVE / PREVENTIVE / IMPROVEMENT ACTION

TO : VARIAN VACUUM TECHNOLOGIES TORINO - QUALITY ASSURANCE

FAX N° : XXXX - 011 - 9979350

ADDRESS: VARIAN S.p.A. - Via F.lli Varian, 54 - 10040 Leinì (Torino) - Italy

E-MAIL : marco.marzio@varianinc.com

NAME _____	COMPANY _____	FUNCTION _____
<p>ADDRESS : _____</p> <p>TEL. N° : _____ FAX N° : _____</p> <p>E-MAIL : _____</p>		
<p>PROBLEM / SUGGESTION :</p> <p>_____</p> <p>_____</p> <p>_____</p> <p>_____</p>		
<p>REFERENCE INFORMATION (model n°, serial n°, ordering information, time to failure after installation, etc.) :</p> <p>_____</p> <p>_____</p> <p>_____</p> <p style="text-align: right;">DATE _____</p>		

<p>CORRECTIVE ACTION PLAN / ACTUATION (by VARIAN VTT)</p> <p>_____</p> <p>_____</p> <p>_____</p> <p>_____</p> <p>_____</p>	<p>LOG N° _____</p>
--	---------------------

XXXX = Code for dialing Italy from your country (es. 01139 from USA; 00139 from Japan, etc.)



SAFETY SUMMARY	1
INTRODUCTION	1
TECHNICAL INFORMATION	2
DESCRIPTION	2
TURBO-V 70 75 VDC BOX CONTROLLER DESCRIPTION	2
CONTROLLER SPECIFICATIONS	2
CONTROLLER OUTLINE	3
INSTALLATION	4
<i>Pump Connector</i>	4
<i>I/O Specifications</i>	4
<i>9-pin "D" Type Connector Pin Assignement</i>	4
<i>Serial Communication Port</i>	5
<i>RS 232 Communication Descriptions</i>	5
<i>Transmission Channel Characteristics</i>	5
<i>Message Structure</i>	5
<i>Examples</i>	6
<i>Serial Communication Windows</i>	7
OPERATION	8
<i>Switching on/off the Pump</i>	8
<i>Low Speed Activation/Deactivation</i>	8
MAINTENANCE	8
<i>Error Messages</i>	8
<i>Error Code Table</i>	8
PCB JUMPERS	9

INTRODUCTION

Operators and service personnel must be aware of all hazards associated with this equipment. They must know how to recognize hazardous and potentially hazardous conditions, and know how to avoid them. The consequences of unskilled, improper, or careless operation of the equipment can be serious.

This product must only be operated and maintained by trained personnel. Every operator or service person must read and thoroughly understand operation/maintenance manuals and any additional information provided by Varian.

All warnings and cautions should be read carefully and strictly observed. Address any safety, operation, and/or maintenance questions to your nearest Varian office.

The following format is used in this manual to call attention to hazards:



Warnings are used when failure to observe instructions or precautions could result in injury or death.



Cautions are used when failure to observe instructions could result in damage to equipment, whether Varian supplied or other associated equipment.

NOTE

Information to aid the operator in obtaining the best performance from the equipment.

DESCRIPTION

The Turbo-V 300 box controller is a microprocessor-controlled, solid-state, frequency converter with self-diagnosis and protection features.

The controller drives the Turbo-V 300 pump series by controlling the voltage and current respect to the speed reached by pump.

It incorporates all the facilities required for the operation of the Turbo-V 300 pump series: pump start/stop, digital current and speed control, analog signals for external indicators.

The power is externally supplied.

All the input/output connections are performed on:

- 9 pin "D" type male connector attached to a cable 400 mm long for I/O and Electrical DC supply.
- Pump connection with 400 mm long cable.
- 9 pin "D" type connector for RS232 connection.

TURBO-V 300 75 VDC BOX CONTROLLER DESCRIPTION

The controller is a solid-state frequency converter which is driven by a single chip microcomputer and is composed of a PCB which includes all the circuitry necessary for its operation.

The microcomputer generates the variable output voltage according to the software and the gas load condition of the pump.

Moreover, it manages signals from sensors, input/output connection information, and gives output for a fully automatic operation.

The controller can be operated via remote signals through an RS-232 connection.

The controller can be operated in local mode through suitable switches connected between the input pins of the TV300 connector.

CONTROLLER SPECIFICATIONS

Input:	
- Voltage	75 Vdc with 2 Vpp max ripple
- Current	3.0 A max.
Fuse	T 3 A
Output:	
- Voltage	80 Vac nominal $\pm 10\%$, 3-phase
- Frequency	933 Hz, $\pm 2\%$
- Power	165 W maximum
Compliance to Norms:	
- Radio interferences	EN 55011 Class Group 1
- ESD	EN 61000/4/2
- BURST	EN 61000/4/4
- Radiated RF immunity	EN 61000/4/3
- Safety	EN 61010/1
Installation category	II
Operating temperature	0°C to + 40 °C
Storage temperature	-20°C to + 70°C
Cooling	Internal fan
Weight	0.5 Kg (1.1 lbs)

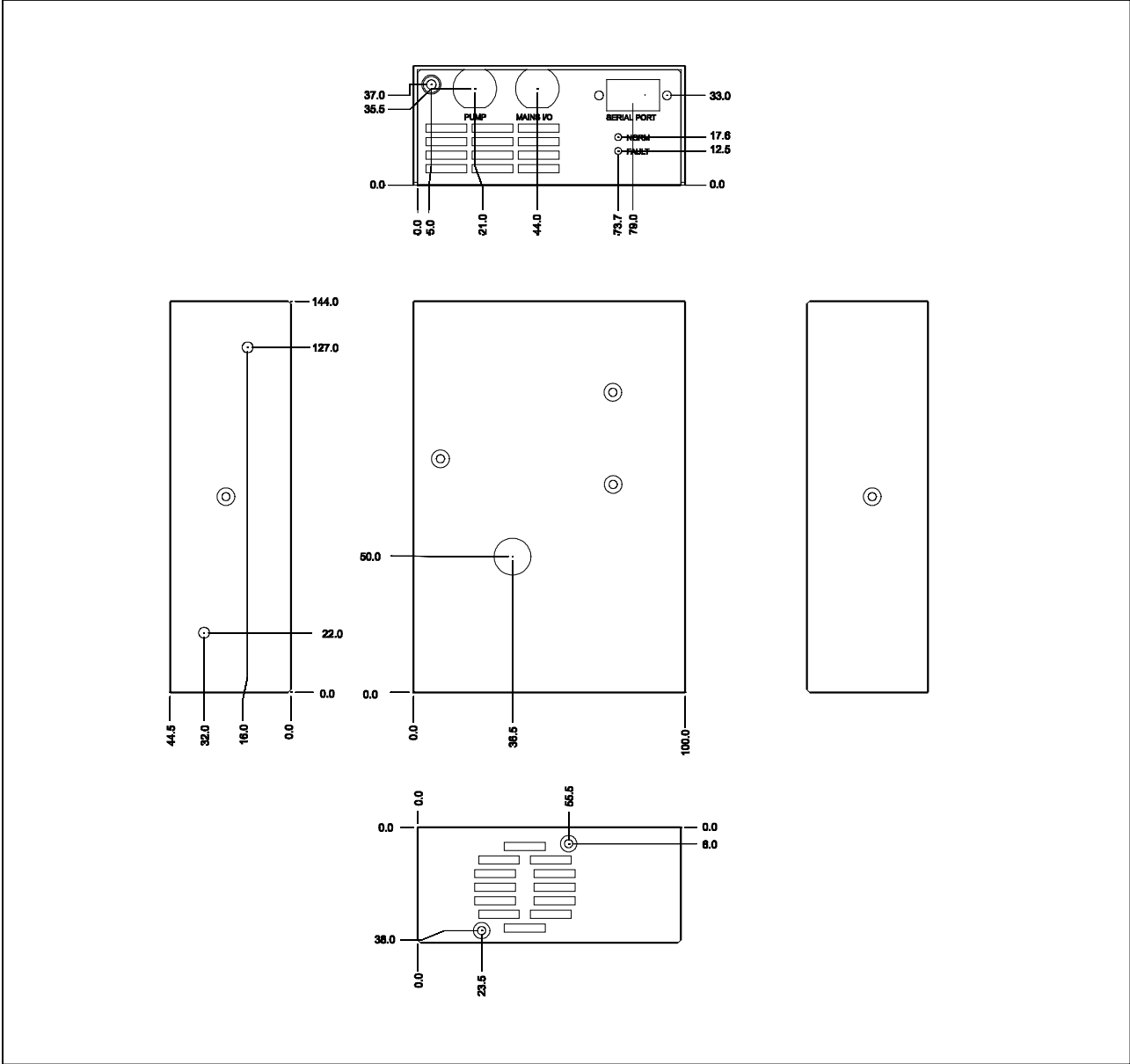


WARNING!

There can be 75 Vdc voltage referred to ground on the pump cable or on the serial connector.

CONTROLLER OUTLINE

The outline dimension for the controller are shown in the following figure:



Controller outline

INSTALLATION

Inspect the controller for any shipping damage.

Should the controller be connected to a host computer via the-RS-232 interface, a suitable cable must be prepared.

In the following paragraphs are detailed the input/output signals.

NOTE

The box installed into the customer system must be positioned so that cold air (forced or natural convection) can flow around.

Pump Connector

The signals of J3 connector are the following:

- **Pin C** 80 Vac 3-phase output to pump motor stator (phase T).
- **Pin D** 80 Vac 3-phase output to pump motor stator (phase S).
- **Pin B** 80 Vac 3-phase output to pump motor stator (phase R).
- **Pins A/F** Pump temperature sensor.
- **Pin E** Ground

I/O Specifications

START/STOP:	
- START command	Low <0.8 Vdc
- STOP command	High 4 to 15 Vdc
Analog output:	0 to 10 Vdc (proportional to speed) *
- Output impedance	(0 to 10 V \equiv 0 to 100% speed)
- Minimum load:	0.1 Ω 2 K Ω (5 mA)
Normal operation signal:	
- Open Collector	Speed <80%: OFF (pull-up to 15 Vdc) Speed >80%: ON (<0.8 Vdc)
Current rating	60 mA max
Low speed command:	Low (<0.8 Vdc)

9-pin "D" Type Connector Pin Assignment

Pin number	Description
1	Start/Stop input: close to pin 5/6 to start the pump
2	Pump in Normal output: closed to pin 5/6 when pump speed is higher than 80% of full speed
3	Earth (Ground)
4	Analog output proportional to pump speed (positive)
5-6	Electrical supply (0 V)
9	Low speed input: close to pin 5/6 to select Low Speed mode
7-8	Electrical supply (75 V) (positive)

* Minimum speed reading in STOP condition = 100 Hz (6 KRPM)

Serial Communication Port

Communication serial port connections and minimum connection configuration are shown in the following figures. The communication port mating connector is supplied with the RS 232 PCB (AMP/Cannon or equivalent 9-pin "D" type male connector). The external cable (not supplied) between the host computer and the controller does not require crossed wires so that signals are connected correctly .

For example, the Transmit data signal from controller (pin 2) must be connected to the host computer's Receive data line (pin 2) and vice versa. Consult the host computer's instruction manual for its serial port connections

NOTE

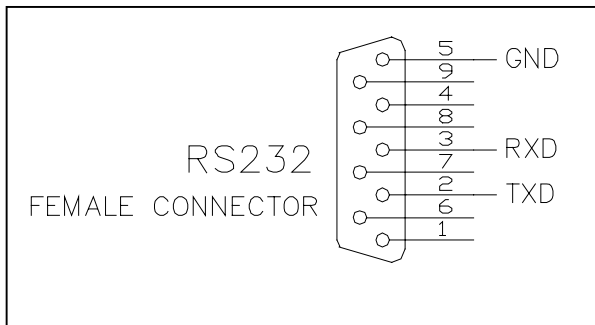
Varian cannot guarantee compliance with FCC regulations for radiated emissions unless all external wiring is shielded, with the shield being terminated to the metal shroud on the O-subconnector. The cable should be secured to the connector with screws.



WARNING!

In order to avoid possible conflicts on the Serial Line, it is advisable to use a 3 wire shielded cable for the TxD, RxD and GND connections and to leave all the other pins unconnected.

RS 232 Communication Descriptions



Communication RS 232 serial port connections

Transmission Channel Characteristics

levels: RS 232/RS 422
 baud rate: 9600/4800 programmable by a jumper on the board
 character length: 8 bits
 parity: none
 stop bit: 1 bit
 protocol: master (PC) / slave (converter)

In this case the value to be assigned to the ADDRESS field must be 80 hex (for RS 232).

Message Structure

(request and answer have the same format)

The master system (PC) starts every session sending the following message to the slave units connected:

<STX> / <ADDR> + <WINDOW> + <COMMAND> + <DATA> + <ETX> + <CRC>

where:

- <STX>= 0x02
- <ADDR> = 0x80 (for RS 232 and RS 422 only)
- <ADDR> = 0x80 + device number (0...31)
 - 0xFF: broadcasting command (recognized by all the devices, it doesn't implicate any answer) (for RS 485 only)
- <WINDOWS>= '000'...' 999' window number the meaning of the window depends to the device type
- <COMMAND>= 0x30 :window value reading
0x31 :window writing
- <DATA> = alphanumeric ASCII string containing, in the case of writing operation, the parameter to input into the window addressed by the field <WINDOW> This field may have variable length according to the data type contained in the window where you are working in. In the case of reading request of a window, the data field doesn't exist.
- <ETX>= 0x03
- <CRC>= XOR among all the characters following <STX>=(with exception of <STX>), including the end character <ETX> hexadecimally encoded by two ASCII characters.

When a slave device is addressed by the master:

- 1) In case of reading request of the value contained in a window, the slave answers a string equal to the one sent by the master but in addition there is the field <DATA> containing the value of the window. The format of the field <DATA> depends to the window type.

The different types are:

	Length	Characters Permitted
Logic (L)	1	'0'=OFF '1'=ON
Numeric (N)	6	'0'...'9' (Justified to the right with '0')
Alphanumeric (A)	max 10	' '...' ' -

Examples

Command : START
Source : PC
Destination: Inverter

02	80	30	30	30	31	31	03	42	33
STX	ADDR	WINDOW	WR	ON	ETX	CRC			

Source : Inverter
Destination : PC

02	80	06	03	38	35
STX	ADDR	ACK	ETX	CRC	

Command : STOP
Source : PC
Destination : Inverter

02	80	30	30	30	31	30	03	42	32
STX	ADDR	WINDOW	WR	OF	ETX	CRC			
				F					

Source : Inverter
Destination : PC

02	80	06	03	38	35
STX	ADDR	ACK	ETX	CRC	

Command : SOFT-START (ON)
Source : PC
Destination : Inverter

02	80	31	30	30	31	31	03	42	32
STX	ADDR	WINDOW	WR	ON	ETX	CRC			

Source : Inverter
Destination : PC

02	80	06	03	38	35
STX	ADDR	ACK	ETX	CRC	

Command : SOFT-START (OFF)
Source : PC
Destination : Inverter

02	80	31	30	30	31	30	03	42	33
STX	ADDR	WINDOW	WR	OF	ETX	CRC			
				F					

Source : Inverter
Destination : PC

02	80	06	03	38	35
STX	ADDR	ACK	ETX	CRC	

Command : CURRENT
Source : PC
Destination : Inverter

02	80	32	30	30	30	03	38	31
STX	ADDR	WINDOW	RD	ETX	CRC			

Source : Inverter
Destination : PC

02	80	32	30	30	30	30	30	30	2E	30	30	03	39	44	
STX	ADD	WINDOW	RD	000.00				ETX	CRC						

Command : FREQUENCY
Source : PC
Destination : Inverter

02	80	32	30	33	30	03	38	32
STX	ADDR	WINDOW	RD	ETX	CRC			

Source : Inverter
Destination : PC

02	80	32	30	33	30	30	30	30	30	34	32	03	38	34	
STX	ADD	WINDOW	RD	000042				ETX	CRC						

Command : ERR-CODE
Source : PC
Destination : Inverter

02	80	32	30	36	30	03	38	37
STX	ADDR	WINDOW	RD	ETX	CRC			

Source : Inverter
Destination : PC

02	80	32	30	36	30	30	30	30	30	30	30	03	38	37	
STX	ADD	WINDOW	RD	000000				ETX	CRC						

Serial Communication Windows

WIN	TYPE	R	W	Description																																																																								
000	L	X	X	START/STOP (1= START ; 0= STOP)																																																																								
008	L	X	X	REMOTE/SERIAL Configuration (1= Remote ; 0= Serial)																																																																								
100	L	X	X	SOFT START YES/NO (1= YES ; 0= NO) Default= 0																																																																								
107	L	X	X	ACTIVE STOP (0=NO; 1=YES) Default= 1																																																																								
108	N	X	X	BAUD RATE (3-4) [4800-9600] Default= 4																																																																								
109	L		X	PUMP LIFE RESET [Write "1" to Reset]																																																																								
120	N	X	X	SET ROTATIONAL FREQUENCY [Hz] 150 Hz <= F_imp <= FMAX																																																																								
121	N	X	X	MAX SETTABLE ROTATIONAL FREQUENCY [Hz] F<=F_MAX_ABS																																																																								
130	N	X		RAMP CURRENT [mA]																																																																								
200	N	X		CURRENT [mA]																																																																								
201	N	X		VOLTAGE[V]																																																																								
202	N	X		POWER [W]																																																																								
203	N	X		DRIVING FREQUENCY [Hz]																																																																								
204	N	X		PUMP TEMPERATURE [°C]																																																																								
205	N	X		STATUS [0=stop; 1=interlock; 2=ramp; 3=regulation; 4=brake; 5=normal; 6=failure]																																																																								
206	N	X		ERROR CODE: <table style="margin-left: 100px; border-collapse: collapse;"> <tr> <td style="border: 1px solid black; padding: 2px;">7</td> <td style="border: 1px solid black; padding: 2px;"> </td> <td style="border: 1px solid black; padding: 2px;"> </td> <td style="border: 1px solid black; padding: 2px;"> </td> <td style="border: 1px solid black; padding: 2px;"> </td> <td style="border: 1px solid black; padding: 2px;"> </td> <td style="border: 1px solid black; padding: 2px;"> </td> <td style="border: 1px solid black; padding: 2px;">0</td> </tr> <tr> <td style="padding: 5px;">Too high load</td> <td style="border: 1px solid black; width: 10px;"></td> <td style="border: 1px solid black; width: 10px;"></td> <td style="border: 1px solid black; width: 10px;"></td> <td style="border: 1px solid black; width: 10px;"></td> <td style="border: 1px solid black; width: 10px;"></td> <td style="border: 1px solid black; width: 10px;"></td> <td style="border: 1px solid black; width: 10px;"></td> </tr> <tr> <td style="padding: 5px;">Short circuit</td> <td style="border: 1px solid black; width: 10px;"></td> <td style="border: 1px solid black; width: 10px;"></td> <td style="border: 1px solid black; width: 10px;"></td> <td style="border: 1px solid black; width: 10px;"></td> <td style="border: 1px solid black; width: 10px;"></td> <td style="border: 1px solid black; width: 10px;"></td> <td style="border: 1px solid black; width: 10px;"></td> </tr> <tr> <td style="padding: 5px;">SoftStart Not Ended</td> <td style="border: 1px solid black; width: 10px;"></td> <td style="border: 1px solid black; width: 10px;"></td> <td style="border: 1px solid black; width: 10px;"></td> <td style="border: 1px solid black; width: 10px;"></td> <td style="border: 1px solid black; width: 10px;"></td> <td style="border: 1px solid black; width: 10px;"></td> <td style="border: 1px solid black; width: 10px;"></td> </tr> <tr> <td style="padding: 5px;">RunUpTime Not Reached</td> <td style="border: 1px solid black; width: 10px;"></td> <td style="border: 1px solid black; width: 10px;"></td> <td style="border: 1px solid black; width: 10px;"></td> <td style="border: 1px solid black; width: 10px;"></td> <td style="border: 1px solid black; width: 10px;"></td> <td style="border: 1px solid black; width: 10px;"></td> <td style="border: 1px solid black; width: 10px;"></td> </tr> <tr> <td style="padding: 5px;">No connection</td> <td style="border: 1px solid black; width: 10px;"></td> <td style="border: 1px solid black; width: 10px;"></td> <td style="border: 1px solid black; width: 10px;"></td> <td style="border: 1px solid black; width: 10px;"></td> <td style="border: 1px solid black; width: 10px;"></td> <td style="border: 1px solid black; width: 10px;"></td> <td style="border: 1px solid black; width: 10px;"></td> </tr> <tr> <td style="padding: 5px;">Pump overtemp</td> <td style="border: 1px solid black; width: 10px;"></td> <td style="border: 1px solid black; width: 10px;"></td> <td style="border: 1px solid black; width: 10px;"></td> <td style="border: 1px solid black; width: 10px;"></td> <td style="border: 1px solid black; width: 10px;"></td> <td style="border: 1px solid black; width: 10px;"></td> <td style="border: 1px solid black; width: 10px;"></td> </tr> <tr> <td style="padding: 5px;">Controller overtemp</td> <td style="border: 1px solid black; width: 10px;"></td> <td style="border: 1px solid black; width: 10px;"></td> <td style="border: 1px solid black; width: 10px;"></td> <td style="border: 1px solid black; width: 10px;"></td> <td style="border: 1px solid black; width: 10px;"></td> <td style="border: 1px solid black; width: 10px;"></td> <td style="border: 1px solid black; width: 10px;"></td> </tr> <tr> <td style="padding: 5px;">Power fail</td> <td style="border: 1px solid black; width: 10px;"></td> <td style="border: 1px solid black; width: 10px;"></td> <td style="border: 1px solid black; width: 10px;"></td> <td style="border: 1px solid black; width: 10px;"></td> <td style="border: 1px solid black; width: 10px;"></td> <td style="border: 1px solid black; width: 10px;"></td> <td style="border: 1px solid black; width: 10px;"></td> </tr> </table>	7							0	Too high load								Short circuit								SoftStart Not Ended								RunUpTime Not Reached								No connection								Pump overtemp								Controller overtemp								Power fail							
7							0																																																																					
Too high load																																																																												
Short circuit																																																																												
SoftStart Not Ended																																																																												
RunUpTime Not Reached																																																																												
No connection																																																																												
Pump overtemp																																																																												
Controller overtemp																																																																												
Power fail																																																																												
211	N	X		PUMP SENSOR TEMPERATURE READING [208= 25°C - 128= 60°C]																																																																								
216	N	X		AMBIENT SENSOR TEMPERATURE READING																																																																								
300	N	X		CYCLE TIME [min]																																																																								
301	N	X		CYCLE NUMBER																																																																								
302	N	X		PUMP LIFE [h]																																																																								
319	A	X		Controller Model																																																																								
320	A	X		Base Pump Model Number (8 characters)																																																																								
321	A	X		Modified Standard Model Number (4 characters)																																																																								
323	A	X		Controller Serial Number (5 characters)																																																																								
325	A	X		Electrical Modification Level (10 characters)																																																																								
400	A	X		CRC PROGRAM LISTING [QE7xxxx]																																																																								
401	A	X		CRC BOOTLOADER [BL1xxxx]																																																																								
402	A	X		CRC PARAMETER LISTING [PA7xxxx]																																																																								
404	A	X		CRC FILE PARAMETER STRUCTURE																																																																								
406	A	X		PROGRAM LISTING CODE & REVISION																																																																								
407	A	X		PARAMETER LISTING CODE & REVISION																																																																								
500	L		X	MONITOR MODE																																																																								

WIN = Window
 R = Read
 W = Write

L = Logical
 N = Numeric
 A = Alphanumeric

OPERATION

Make all vacuum manifold and electrical connections and refer to Turbo-V pump instruction manual prior to operating the Turbo-V controller.



WARNING!

To avoid injury to personnel and damage to the equipment, if the pump is laying on a table make sure it is steady.
Never operate the Turbo-V pump if the pump inlet is not connected to the system or blanked off.

The controller operates completely automatically after the remote start command is given.

Switching on/off the Pump

To switch on the pump it is necessary to short circuit pin 1 and pins 5-6 (ground) of the 9 pin "D" type connector.

To switch off the pump it is necessary to remove the short circuit between pins 1 and 5-6.

Analog output: 0 to 10 Vdc proportional to speed (0 to 10 V \equiv 0 to 100% speed).
This output is active also during the pump "slow down" phase after a Stop command.

Low Speed Activation/Deactivation

To activate the Low Speed status it is necessary to connect pin 9 of the 9-pin connector to pin 5-6 (ground) of the 9-pin "D" type connector.

To deactivate the Low Speed status it is necessary to disconnect pin 9 from pin 15 (ground) of the same connector.

The low speed frequency is equal to 622 Hz.

MAINTENANCE

Replacement controllers are available on an advance exchange basis through Varian. If necessary, information is provided to aid the operator in determining malfunctions and corrective steps to be taken.



WARNING!

In order Voltages developed in the unit are dangerous and may be fatal. Service must be performed by authorized personnel only.

Error Messages

For a certain type of failure, the controller will self-diagnose the error and the following messages will be displayed.

The controller signals the error occurred by means of a diagnostic LED located on the box (FAULT), and on the RS 232 port.

The LED blinks in a coded mode: it flashes a number of time equal to the error code (see the following table) and then stays off, and so on.

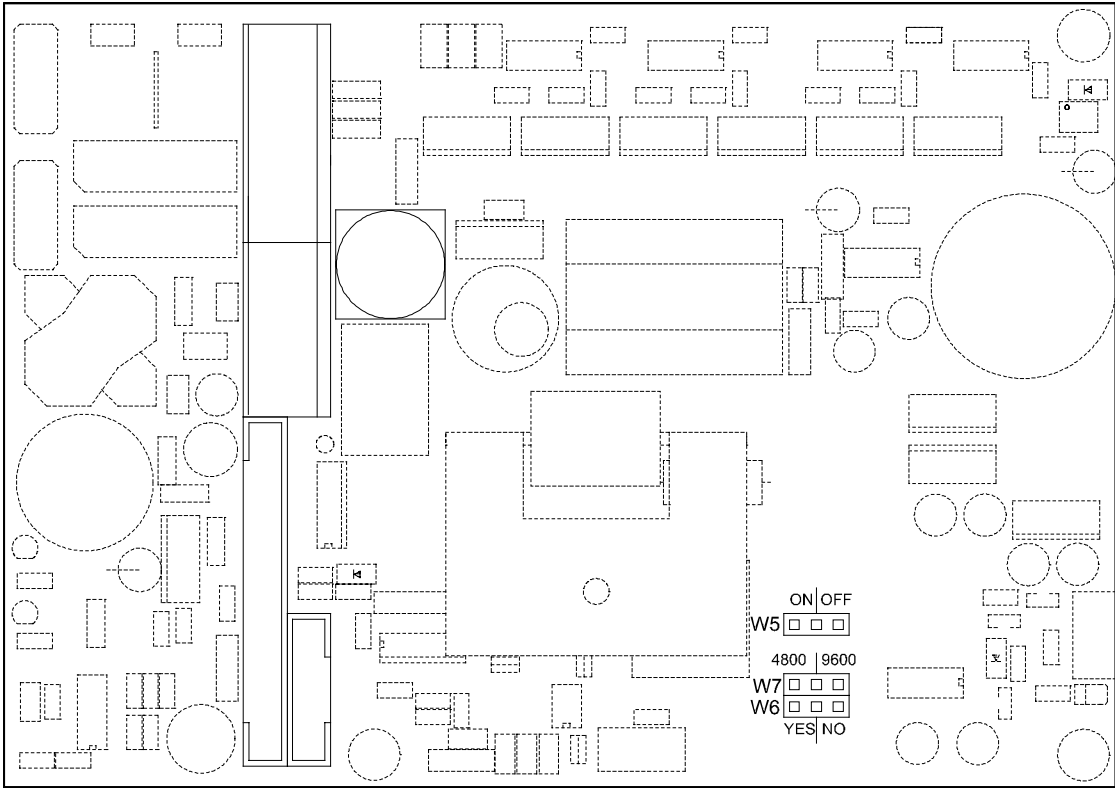
"Status" LED (on the box)

OFF in STOP
Blinking in STARTING
ON in NORMAL

Error Code Table

LED BLINKING NUMBER	DESCRIPTION
0	No error
1	Output overcurrent
2	Not connected pump
3	Pump overtemperature
4	Controller overtemperature
5	Run-up overtime
6	Soft start overtime
7	Too High Load
8	Power Failure

PCB JUMPERS



W5 = FLASH EPROM PROGRAMMING
W6 = SOFT START SELECTION
W7 = BAUD RATE SELECTION



Request for Return



1. A Return Authorization Number (RA#) **WILL NOT** be issued until this Request for Return is completely filled out, signed and returned to Varian Customer Service.
2. Return shipments shall be made in compliance with local and international **Shipping Regulations** (IATA, DOT, UN).
3. The customer is expected to take the following actions to ensure the **Safety** of workers at Varian: (a) Drain any oils or other liquids, (b) Purge or flush all gasses, (c) Wipe off any excess residues in or on the equipment, (d) Package the equipment to prevent shipping damage, (for Advance Exchanges please use packing material from replacement unit).
4. Make sure the shipping documents clearly show the RA# and then return the package to the Varian location nearest you.

North and South America

Varian Vacuum Technologies
 121 Hartwell Ave
 Lexington, MA 02421
 Phone : +1 781 8617200
 Fax: +1 781 8609252

Europe and Middle East

Varian SpA
 Via Flli Varian 54
 10040 Leini (TO) – ITALY
 Phone: +39 011 9979111
 Fax: +39 011 9979330

Asia and ROW

Varian Vacuum Technologies
 Local Office

CUSTOMER INFORMATION

Company name:	
Contact person: Name:	Tel:
Fax:	E-Mail:
Ship Method:	Shipping Collect #: P.O.#:
<i>Europe only:</i> VAT reg. Number:	<i>USA only:</i> <input type="checkbox"/> Taxable <input type="checkbox"/> Non-taxable
Customer Ship To:	Customer Bill To:
.....
.....

PRODUCT IDENTIFICATION

Product Description	Varian P/N	Varian S/N	Purchase Reference

TYPE OF RETURN (check appropriate box)

<input type="checkbox"/> Paid Exchange	<input type="checkbox"/> Paid Repair	<input type="checkbox"/> Warranty Exchange	<input type="checkbox"/> Warranty Repair	<input type="checkbox"/> Loaner Return
<input type="checkbox"/> Credit	<input type="checkbox"/> Shipping Error	<input type="checkbox"/> Evaluation Return	<input type="checkbox"/> Calibration	<input type="checkbox"/> Other

HEALTH and SAFETY CERTIFICATION

Varian Vacuum Technologies **CAN NOT ACCEPT** any equipment which contains **BIOLOGICAL HAZARDS** or **RADIOACTIVITY**. Call Varian Customer Service to discuss alternatives if this requirement presents a problem.

The equipment listed above (check one):

HAS NOT been exposed to any toxic or hazardous materials

OR

HAS been exposed to any toxic or hazardous materials. In case of this selection, check boxes for any materials that equipment was exposed to, check all categories that apply:

Toxic Corrosive Reactive Flammable Explosive Biological Radioactive

List all toxic or hazardous materials. Include product name, chemical name and chemical symbol or formula.

.....

Print Name: Customer Authorized Signature:

Print Title: Date:/...../.....

NOTE: If a product is received at Varian which is contaminated with a toxic or hazardous material that was not disclosed, **the customer will be held responsible** for all costs incurred to ensure the safe handling of the product, and **is liable** for any harm or injury to Varian employees as well as to any third party occurring as a result of exposure to toxic or hazardous materials present in the product.

Do not write below this line

Notification (RA)#: Customer ID#: Equipment #:

FAILURE REPORT

TURBO PUMPS and TURBOCONTROLLERS

<input type="checkbox"/> Does not start <input type="checkbox"/> Does not spin freely <input type="checkbox"/> Does not reach full speed <input type="checkbox"/> Mechanical Contact <input type="checkbox"/> Cooling defective	<input type="checkbox"/> Noise <input type="checkbox"/> Vibrations <input type="checkbox"/> Leak <input type="checkbox"/> Overtemperature	POSITION <input type="checkbox"/> Vertical <input type="checkbox"/> Horizontal <input type="checkbox"/> Upside-down <input type="checkbox"/> Other:	PARAMETERS Power: Rotational Speed: Current: Inlet Pressure: Temp 1: Foreline Pressure: Temp 2: Purge flow: <hr/> OPERATION TIME:
TURBOCONTROLLER ERROR MESSAGE:			

ION PUMPS/CONTROLLERS

<input type="checkbox"/> Bad feedthrough <input type="checkbox"/> Vacuum leak <input type="checkbox"/> Error code on display	<input type="checkbox"/> Poor vacuum <input type="checkbox"/> High voltage problem <input type="checkbox"/> Other
Customer application:	

VALVES/COMPONENTS

<input type="checkbox"/> Main seal leak <input type="checkbox"/> Solenoid failure <input type="checkbox"/> Damaged sealing area	<input type="checkbox"/> Bellows leak <input type="checkbox"/> Damaged flange <input type="checkbox"/> Other
Customer application:	

LEAK DETECTORS

<input type="checkbox"/> Cannot calibrate <input type="checkbox"/> Vacuum system unstable <input type="checkbox"/> Failed to start	<input type="checkbox"/> No zero/high background <input type="checkbox"/> Cannot reach test mode <input type="checkbox"/> Other
Customer application:	

INSTRUMENTS

<input type="checkbox"/> Gauge tube not working <input type="checkbox"/> Communication failure <input type="checkbox"/> Error code on display	<input type="checkbox"/> Display problem <input type="checkbox"/> Degas not working <input type="checkbox"/> Other
Customer application:	

PRIMARY PUMPS

<input type="checkbox"/> Pump doesn't start <input type="checkbox"/> Doesn't reach vacuum <input type="checkbox"/> Pump seized	<input type="checkbox"/> Noisy pump (describe) <input type="checkbox"/> Over temperature <input type="checkbox"/> Other
Customer application:	

DIFFUSION PUMPS

<input type="checkbox"/> Heater failure <input type="checkbox"/> Doesn't reach vacuum <input type="checkbox"/> Vacuum leak	<input type="checkbox"/> Electrical problem <input type="checkbox"/> Cooling coil damage <input type="checkbox"/> Other
Customer application:	

FAILURE DESCRIPTION

(Please describe in detail the nature of the malfunction to assist us in performing failure analysis):

NOTA: Su richiesta questo documento è disponibile anche in Tedesco, Italiano e Francese.
REMARQUE : Sur demande ce document est également disponible en allemand, italien et français.
HINWEIS: Auf Anfrage ist diese Unterlage auch auf Deutsch, Italienisch und Französisch erhältlich.

Sales and Service Offices

Argentina

Varian Argentina Ltd.

Sucursal Argentina
Av. Ricardo Balbin 2316
1428 Buenos Aires
Argentina
Tel: (54) 1 783 5306
Fax: (54) 1 786 5172

Australia

Varian Australia Pty Ltd.

679-701 Springvale Road
Mulgrave, Victoria ZZ 3170
Australia
Tel: (61) 395607133
Fax: (61) 395607950

Benelux

Varian Vacuum Technologies

Rijksstraatweg 269 H,
3956 CP Leersum
The Netherlands
Tel: (31) 343 469910
Fax: (31) 343 469961

Brazil

Varian Industria e Comercio Ltda.

Avenida Dr. Cardoso de Mello 1644
Vila Olimpia
Sao Paulo 04548 005
Brazil
Tel: (55) 11 3845 0444
Fax: (55) 11 3845 9350

Canada

Central coordination through:

Varian Vacuum Technologies
121 Hartwell Avenue
Lexington, MA 02421
USA
Tel: (781) 861 7200
Fax: (781) 860 5437
Toll Free: (800) 882 7426

China

Varian Technologies - Beijing

Room 1201, Jinyu Mansion
No. 129A, Xuanwumen Xidajie
Xicheng District
Beijing 1000031 P.R. China
Tel: (86) 10 6608 1530
Fax: (86) 10 6608 1534

France and Wallonie

Varian s.a.

7 avenue des Tropiques
Z.A. de Courtaboeuf – B.P. 12
Les Ulis cedex (Orsay) 91941
France
Tel: (33) 1 69 86 38 13
Fax: (33) 1 69 28 23 08

Germany and Austria

Varian Deutschland GmbH

Alsfelder Strasse 6
Postfach 11 14 35
64289 Darmstadt
Germany
Tel: (49) 6151 703 353
Fax: (49) 6151 703 302

India

Varian India PVT LTD

101-108, 1st Floor
1010 Competent House
7, Nangal Raya Business Centre
New Delhi 110 046
India
Tel: (91) 11 5548444
Fax: (91) 11 5548445

Italy

Varian Vacuum Technologies

Via F.lli Varian, 54
10040 Leini, (Torino)
Italy
Tel: (39) 011 997 9111
Fax: (39) 011 997 9350

Japan

Varian Vacuum Technologies

Sumitomo Shibaura Building, 8th Floor
4-16-36 Shibaura
Minato-ku, Tokyo 108
Japan
Tel: (81) 3 5232 1253
Fax: (81) 3 5232 1263

Korea

Varian Technologies Korea, Ltd.

Shinsa 2nd Bldg. 2F
966-5 Daechi-dong
Kangnam-gu, Seoul
Korea 135-280
Tel: (82) 2 3452 2452
Fax: (82) 2 3452 2451

Mexico

Varian S.A.

Concepcion Beistegui No 109
Col Del Valle
C.P. 03100
Mexico, D.F.
Tel: (52) 5 523 9465
Fax: (52) 5 523 9472

Taiwan

Varian Technologies Asia Ltd.

18F-13 No.79, Hsin Tai Wu Road
Sec. 1, Hsi Chih
Taipei Hsien
Taiwan, R.O.C.
Tel: (886) 2 2698 9555
Fax: (886) 2 2698 9678

UK and Ireland

Varian Ltd.

28 Manor Road
Walton-On-Thames
Surrey KT 12 2QF
England
Tel: (44) 1932 89 8000
Fax: (44) 1932 22 8769

United States

Varian Vacuum Technologies

121 Hartwell Avenue
Lexington, MA 02421
USA
Tel: (781) 861 7200
Fax: (781) 860 5437
Toll Free: (800) 882 7426

Other Countries

Varian Vacuum Technologies

Via F.lli Varian, 54
10040 Leini, (Torino)
Italy
Tel: (39) 011 997 9111
Fax: (39) 011 997 9350

Internet Users:

Customer Service & Technical Support:

vtt.customer.service@varianinc.com

Worldwide Web Site:

www.varianinc.com/vacuum

Order On-line:

www.evarian.com

Representatives in most countries



VARIAN