



VIA TECHNOLOGIES INC



**VIA MAC USB Driver
Test Report
V1.0.5**

VIA CONFIDENTIAL

Revision 0.11 2004/04/05



System Configuration

● Hardware

Motherboard	Power Mac G4	Power Mac G4
BIOS	4.4.8f2	4.4.8f2
CPU	1.0GHz*2	897MHz*2
RAM	DDR SDRAM 256M*1	DDR SDRAM 256M*1
USB Controller	VT6202 / VT6212L / VT6214	

● Software

OS Version	Mac OS X 10.2.6 / 10.2.8	
Test Utilities	N/A	
USB Driver Version	VIA Mac UHCI Driver v1.0.5	

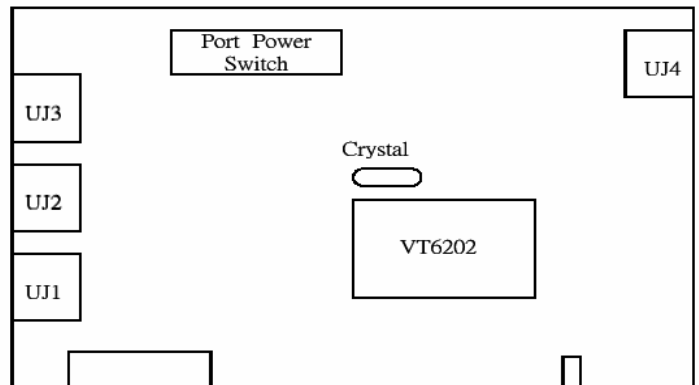
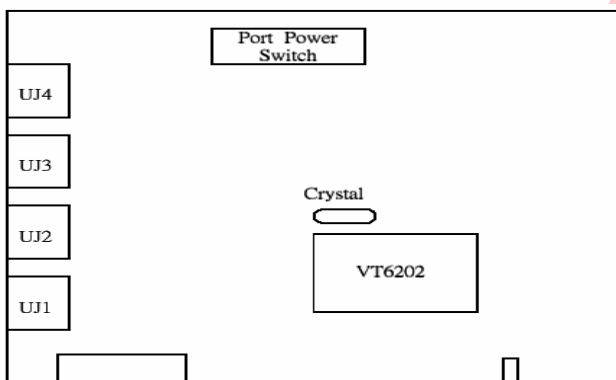
0. Test Environment Setup

- (1) Attach one Hard Disk to **Primary Master** channel, one CD-ROM to **Primary Slave** channel.
- (2) Copy copy/compare source files "50MB, 100MB, 200MB and 300MB" to folder "**kit**" from CD-ROM.

1. USB Device Test Method

2.1 USB Port Definition

- (1) USB card



2.2 USB 1.1 Device

- (1) USB Mouse
 - A. Connect USB mouse to USB port
 - B. Check the mouse whether works normally.
- (2) USB keyboard
 - A. Connect USB keyboard to USB port
 - B. Check the keyboard whether works normally.
- (3) USB Camrea
 - A. Connect USB Camrea to USB port
- (4) USB Joystick and GamePad
 - A. Connect USB Joystick and GamePad to USB port
- (5) USB Floppy
 - A. Connect USB Floppy to USB port
 - B. Run copy/compare test #. /via_cpcmp /floopykit /target folder **2**



VIA TECHNOLOGIES INC

- (6) USB printer
 - A. Connect USB printer to USB port.
 - B. Print a file.
- (7) USB speaker
 - A. Connect USB speaker to USB port.
 - B. Play wav file for 5 minutes.
- (8) USB Hub
 - A. Connect USB Hub to USB port

2.3 USB 2.0 Device

- (1) USB HDD
 - A. Connect USB HDD to USB port
 - B. Run copy/compare test #. /via_cpcmp /kit /target folder **2**
- (2) USB CD-RW
 - A. Connect USB CD-RW to USB port
 - B. Run copy/compare test #. /via_cpcmp /kit /target folder **2**
- (3) USB MO
 - A. Connect USB MO to USB port
 - B. Run copy/compare test #. /via_cpcmp /kit /target folder **2**
- (4) USB 2.0 Hub
 - A. Connect USB Hub to USB port

2. USB Device Hot Plug Test

3.1 USB 1.1 Device Hot Plug Test

- (1) Connect USB 1.1 device (mouse, keyboard, Floppy...) to system.
- (2) Record the USB port that USB device plug in (Please refer to section 2.1).
- (3) Check system can detect USB device or not, and work correctly. **(Test Method please refer section 2.2)**
- (4) Repeat Step (3) for **10 times**, and fill the **Detection** and **Function** blank with (**FAIL time/10**).

Chipset	VT5642D				
USB Controller	VT6202				
Test Device Operation System	Port	Vendor	Model	Status	
				Detection	Function
Mac OS X 10.2.6	UJ1	Microsoft	5-Button Optical USB Mouse	PASS	PASS
	UJ2	Logitech	USB mouse	PASS	PASS
	UJ3	Microsoft	Natural keyboard	PASS	PASS
	UJ4	Logitech	USB keyboard	PASS	PASS
	UJ1	TEAC	FD-05PUB	PASS	PASS
	UJ1	Peracom	USB 1.1 Hub	PASS	PASS
Mac OS X 10.2.8	UJ4	Microsoft	5-Button Optical USB Mouse	PASS	PASS
	UJ3	Logitech	USB mouse	PASS	PASS
	UJ2	Microsoft	Natural keyboard	PASS	PASS
	UJ1	Logitech	USB keyboard	PASS	PASS
	UJ4	TEAC	FD-05PUB	PASS	PASS
	UJ4	Peracom	USB 1.1 Hub	PASS	PASS



Chipset	VT5697B (VT6212L) (VT6214L) #34#84				
USB Controller	VT6212L / VT6214L				
Test Device Operation System	Port	Vendor	Model	Status	
				Detection	Function
Mac OS X 10.2.6	UJ4	Microsoft	5-Button Optical USB Mouse	PASS	PASS
	UJ3	Logitech	USB mouse	PASS	PASS
	UJ2	Microsoft	Natural keyboard	PASS	PASS
	UJ1	Logitech	USB keyboard	PASS	PASS
	UJ2	TEAC	FD-05PUB	PASS	PASS
	UJ1	Peracom	USB 1.1 Hub	PASS	PASS
Mac OS X 10.2.8	UJ1	Microsoft	5-Button Optical USB Mouse	PASS	PASS
	UJ2	Logitech	USB mouse	PASS	PASS
	UJ3	Microsoft	Natural keyboard	PASS	PASS
	UJ4	Logitech	USB keyboard	PASS	PASS
	UJ2	TEAC	FD-05PUB	PASS	PASS
	UJ3	Peracom	USB 1.1 Hub	PASS	PASS

3.2 USB 2.0 Device Hot Plug Test

- (1) Connect USB 2.0 device (HDD, CD-RW, MO...) to system.
- (2) Record the USB port that USB device plug in (Please refer to section 2.1).
- (3) Check system can detect USB device or not, and work correctly. **(Test Method please refer section 2.2)**
- (4) Repeat Step (3) for 10 times, and fill the **Detection** and **Function** blank with (FAIL time/10).

Chipset	VT5642D (VT6202) #224				
USB Controller	VT6202				
Test Device Operation System	Port	Vendor	Model	Status	
				Detection	Function
Mac OS X 10.2.6	UJ4	Fujitsu	MDG3130UB (USB MO)	PASS	PASS
	UJ3	Insystem	USB External Box	PASS	PASS
	UJ2	lomega	PHD40-C (USB HDD)	PASS	PASS
	UJ1	SONY	Flash Disk 256MB	PASS	PASS
	UJ1	ASUS	SCB-2408 USB Combo CD-RW	PASS	PASS
	UJ4	lomega	CDRW38402E	PASS	PASS
	UJ3	ATEN	USB 2.0 Hub	PASS	PASS
	UJ1	BELKIN	USB 2.0 Hub	PASS	PASS
Mac OS X 10.2.8	UJ1	Fujitsu	MDG3130UB (USB MO)	PASS	PASS
	UJ2	Insystem	USB External Box	PASS	PASS
	UJ3	lomega	PHD40-C (USB HDD)	PASS	PASS
	UJ4	SONY	Flash Disk 256MB	PASS	PASS
	UJ1	ASUS	SCB-2408 USB Combo CD-RW	PASS	PASS
	UJ2	lomega	CDRW38402E	PASS	PASS
	UJ3	ATEN	USB 2.0 Hub	PASS	PASS
	UJ1	BELKIN	USB 2.0 Hub	PASS	PASS

Chipset	VT5697B (VT6212L) (VT6214L) #34#84				
USB Controller	VT6212L / VT6214L				
Test Device Operation System	Port	Vendor	Model	Status	
				Detection	Function
Mac OS X 10.2.6	UJ3	Fujitsu	MDG3130UB (USB MO)	PASS	PASS
	UJ2	Insystem	USB External Box	PASS	PASS
	UJ1	lomega	PHD40-C (USB HDD)	PASS	PASS



Chipset		VT5697B (VT6212L) (VT6214L) #34#84			
USB Controller		VT6212L / VT6214L			
Test Device Operation System	Port	Vendor	Model	Status	
				Detection	Function
	UJ4	SONY	Flash Disk 256MB	PASS	PASS
	UJ2	ASUS	SCB-2408 USB Combo CD-RW	PASS	PASS

3. USB Device Compatibility Test

One USB Hub Test

- (1) Connect one USB 1.1 Hub to usb port of MB for testing USB 1.1 device.
- (2) Record the number of USB port on usb hub.
- (3) The method of testing Usb device, please refer section 2.1
- (4) Check system can detect USB device or not, and work correctly.
- (5) Connect one USB 2.0 Hub to usb port of MB for testing USB 2.0 device.
- (6) Record the number of USB port on usb hub.
- (7) The method of testing Usb device, please refer section 2.2
- (8) Check system can detect USB device or not, and work correctly.

Chipset		VT5642D (VT6202) #224						
USB Controller		VT6202						
USB Hub	1.1	PERACOM						
	2.0	ATEN						
Test Device Operation System	Port	Vendor	Model	Status				
				Detection	Function			
	Mac OS X 10.2.6	USB 1.1	4	Microsoft	Optical USB Mouse	PASS	PASS	
3			Logitech	USB keyboard	PASS	PASS		
2			Microsoft	SideWinder Force feedback 2 Joystick	PASS	N/T Note 1		
1			Creative	Blaster GamePad Cobra	PASS	N/T Note 1		
2			TEAC	FD-05PUB	PASS	PASS		
USB 2.0		1	Insystem	USB External Box	PASS	PASS		
		2	ASUS	SCB-2408 USB Combo CD-RW	PASS	PASS		
		4	lomega	PHD40-C (USB HDD)	PASS	PASS		
		Mac OS X 10.2.8	USB 1.1	1	Microsoft	Optical USB Mouse	PASS	PASS
				2	Logitech	USB keyboard	PASS	PASS
3	Microsoft			SideWinder Force feedback 2 Joystick	PASS	N/T Note 1		
4	Creative			Blaster GamePad Cobra	PASS	N/T Note 1		
1	TEAC		FD-05PUB	PASS	PASS			
USB 2.0	3	Insystem	USB External Box	PASS	PASS			
	2	ASUS	SCB-2408 USB Combo CD-RW	PASS	PASS			
	1	lomega	PHD40-C (USB HDD)	PASS	PASS			

Chipset		VT5697B (VT6212L) (VT6214L) #34#84				
USB Controller		VT6212L / VT6214L				
USB Hub	1.1	PERACOM				
	2.0	BELKIN				
Test Device Operation System	Port	Vendor	Model	Status		
				Detection	Function	
	Mac OS X 10.2.6	USB 1.1	3	Microsoft	Optical USB Mouse	PASS
1			Logitech	USB keyboard	PASS	PASS



VIA TECHNOLOGIES INC

Chipset		VT5697B (VT6212L) (VT6214L) #34#84			
USB Controller		VT6212L / VT6214L			
USB Hub	1.1	PERACOM			
	2.0	BELKIN			
Test Device Operation System		Port	Vendor	Model	Status
					Detection Function
Windows	USB 2.0	4	Microsoft	SideWinder Force feedback 2 Joystick	PASS N/T Note 1
		2	Creative	Blaster GamePad Cobra	PASS N/T Note 1
		1	TEAC	FD-05PUB	PASS PASS
	USB 2.0	2	Insystem	USB External Box	PASS PASS
		3	ASUS	SCB-2408 USB Combo CD-RW	PASS PASS
		1	Iomega	PHD40-C (USB HDD)	PASS PASS
Mac OS X 10.2.8	USB 1.1	1	Microsoft	Optical USB Mouse	PASS PASS
		2	Logitech	USB keyboard	PASS PASS
		3	Microsoft	SideWinder Force feedback 2 Joystick	PASS N/T Note 1
		4	Creative	Blaster GamePad Cobra	PASS N/T Note 1
		1	TEAC	FD-05PUB	PASS PASS

Note:

1. No tool can't test it.

4. Burn-in Test

5.1 USB HDD copy/compare Test

- (1) Connect USB 2.0 HDD to system
- (2) Record the USB port that USB device plug in.
- (3) Run copy/compare test between IDE HDD and Usb 2.0 HDD.
#. /via_cpcmp /kit /target folder **test number**
- (4) Check Logfile PASS or FAIL. And fill the **Status** blank with PASS or FAIL.

USB Controller		VT5642D (VT6202) #321			
Test Device Operation System		Port	Vendor	Model	Status
Mac OS X 10.2.6		UJ2	Iomega	PHD40-C (USB HDD)	PASS (14 hours)
Mac OS X 10.2.8		UJ2	Insystem	USB External Box	PASS (14 hours)

USB Controller		VT5697B (VT6212L) (VT6214L) #34#84			
Test Device Operation System		Port	Vendor	Model	Status
Mac OS X 10.2.6		UJ3	Fujitsu	MDG3130UB (USB MO)	PASS (14 hours)
Mac OS X 10.2.8		UJ4	TEAC	FD-05PUB	PASS (14 hours)