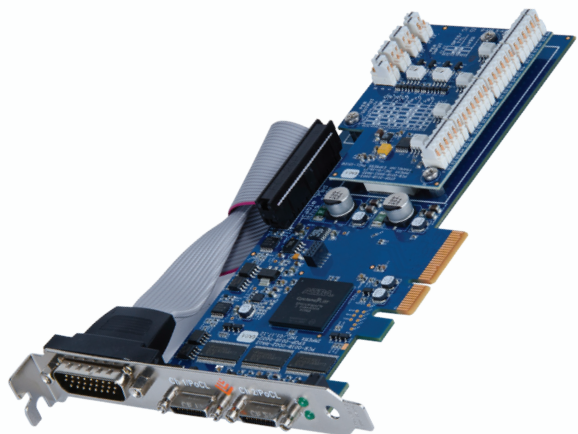


SPECIFICATIONS

Camera Link® PCIe x4 Card for Desktop PCs

VCE-CLPCIe04

Acquisition from a Base, Medium, Full or Deca Camera Link camera



IMPERX Framelink PCIe x4 is a professional level PCI Express video capture card that enables users to view and store in real time mega pixel images from any Camera Link source onto desktop computers. The Framelink PCIe x4 is capable of capturing single or multiple frames and standard AVI clips from any Base, Medium, Full or Deca Camera Link compliant video source. Each captured frame can be stamped with a user message along with the date and time of capture. The Framelink VCE-CLPCIe04 comes with easy to use camera configuration software for fast integration of the card into demanding machine vision environments.

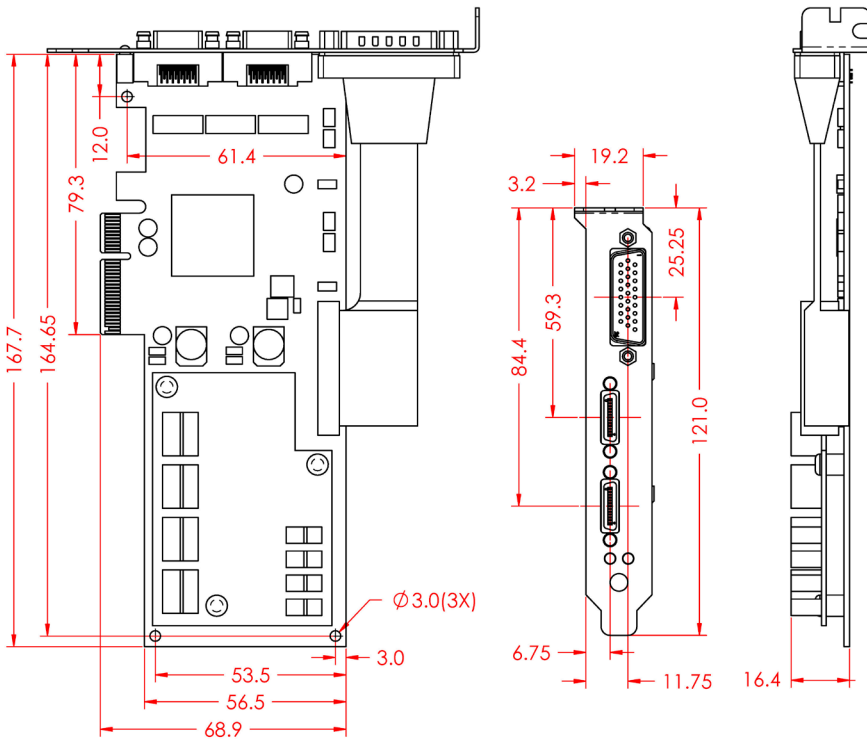
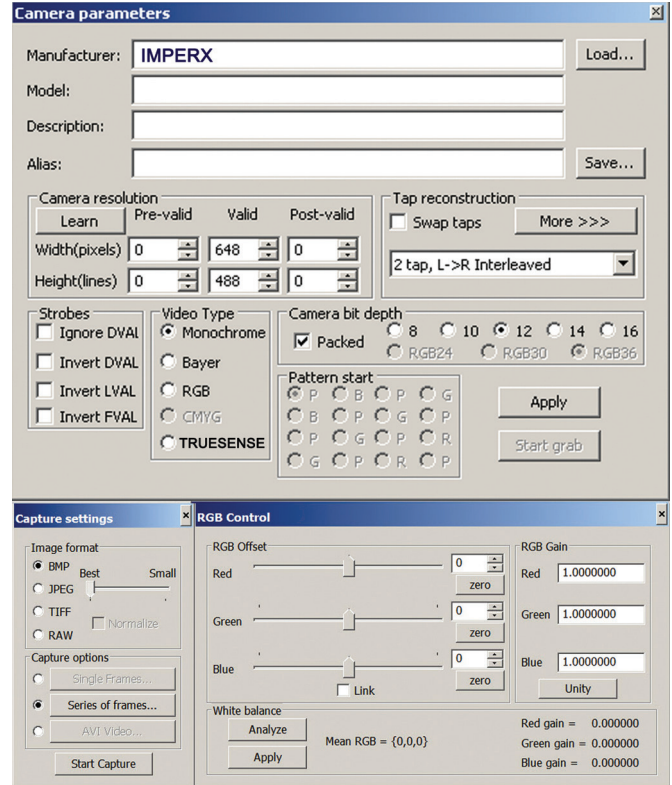
Features	<p>PCIe x4 compliant providing 10 Gbps of bandwidth</p> <p>Fully compliant with the Power over Camera Link (PoCL) and Safe Power specifications</p> <p>Built in comprehensive programmable logic controller (PLC)</p> <p>Intelligent scatter/gather DMA for fast, efficient use of PCIe bandwidth and system memory</p> <p>Unique 'auto-learn' feature automatically recognizes camera parameters and simplifies CAM file creation</p> <p>Includes 4 external inputs each configurable as TTL, LVDS or Opto-coupled</p> <p>Includes 4 general outputs each configurable as TTL, LVDS, Opto-coupled or Open Collector</p> <p>Flow-through pipelined architecture for low latency</p> <p>Dynamic buffer allocation</p> <p>Selectable window sizes</p> <p>Adjustable RGB brightness and auto white balance</p> <p>Bayer pattern interpolation</p> <p>Captures single, multiple frames or AVI clips</p> <p>Normal or delay capture</p> <p>Date, time and text overlay</p> <p>BMP, TIFF or adjustable JPEG file format</p> <p>Image viewer with DVR controls</p> <p>Many advanced features including look up tables, histograms, RGB gain/offset with auto-white balance, hex pixel dump, etc.</p>
Software	<p>Application program: Full featured, intuitive, easy to use GUI</p> <p>Drivers: Win XP/2000/Vista/7/8 in 32 and 64 bit versions, DirectX, LabVIEW, Matlab, Halcon, MIL</p> <p>SDK: C/C++, COM, .NET, ActiveX—all with sample source code</p>
Video Source	<p>Uses two mini-CL (SDR/HDR) connectors</p> <p>Base: 24 video data bits plus strobes and clock</p> <p>Medium: 48 video data bits plus strobes and clock</p> <p>Full: 64 video data bits plus strobes and clock</p> <p>Deca: 80 video data bits plus strobes and clock</p> <p>Bi-directional serial interface</p>
Video Format	<p>Base: 1x8, 2x8, 3x8, 1x10, 2x10, 1x12, 2x12, 1x14, 1x16 and 3x8 (RGB24)</p> <p>Medium: 4x8, 3x10, 4x10, 3x12, 4x12, RGB30 and RGB36</p> <p>Full: 8x8</p> <p>Deca: 8x10 or 10x8</p> <p>Monochrome and color: RGB, Bayer and TRUESENSE Sparse CFA</p>
Power	<p>3.3V DC +/-5%, 500 mA steady</p> <p>1.65W constant power</p>
Environmental	<p>Operating temperature: 0°C to 85°C</p> <p>Relative humidity: 90% non-condensing</p>
MTBF	>330,000 hours @ 50°C
Regulatory	FCC part 15, Class B, CE, RoHS
Mechanical	Low profile PCI Express form factor



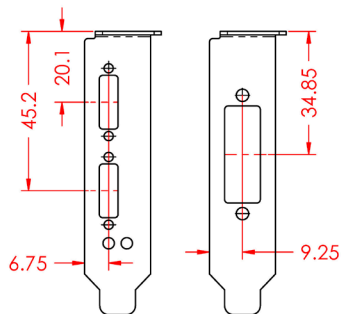


Order: VCE-CLPCle04

For specific details and ordering information, consult the FrameLink Express user's manual or contact IMPERX at sales@imperx.com.



ALSO SUPPLIED WITH LOW PROFILE BRACKETS



VCE-CLPCle04, Rev 2